



**TECHNICAL DETAILS**

design Marco Zito

structure	4-leg frame in die-cast aluminium, epoxy powder-coated in embossed white RAL 9010, black RAL 9005 and dove grey. Adjustable feet +20 mm.
seat	consisting of a 20 mm thick multilayer wood panel and double-density polyurethane foam padding (seat PF 50/P FR, back PF 30 FR). Application of flame-retardant R&B wadding 100 g. Upholstery in fabric, eco-leather or leather. The seat is also available with attachment clips for separation panels.
dividing panels	made of a 20 mm thick multilayer wood panel, integrated with PF 40 polyurethane on both sides. Upholstered in fabric (no eco-leather). Dimensions W. 3 cm H. 118 cm
accessories	<p><u>coat hanger</u>: made of 2 mm thick folded sheet steel painted with epoxy powder with embossed finish.</p> <p><u>magazine holder</u>: made of 2 mm thick folded sheet steel painted with epoxy powder with embossed finish.</p> <p><u>hanging table with circular top</u>: fixed, Ø 35 cm diameter, with melamine top and metal support. Maximum weight supported 10 kg. It is attached to the sofa structure.</p> <p><u>hanging table with rectangular top</u>: 360° swivel, dimensions W. 40 cm D. 30 cm, with melamine top and metal support. Maximum weight supported 10 kg. It is attached to the sofa frame.</p> <p><u>sockets</u>: equipped with 1 plug (Shuko DE or UK) or 1 socket with 2 USB 5V A+C. Fixed to the sofa frame.</p> <p><u>cable duct</u>: in polyester with zip closure.</p>

structure finishes

**Embossed painted aluminium**

- ZGBI - White  
RAL 9010
- ZGTR - Dove Grey
- ZGNE - Black  
RAL 9005

top finishes

**Melamine**

- MBI  
White
- MTR  
Dove Grey
- MCE  
Cement
- MOB  
Light elm
- MNC  
Walnut

**Matt laquered**

- LAW1  
White  
RAL 9016
- LATR  
Dove  
Grey
- LANE  
Black  
RAL 9011

accessories

Painted metal



fabrics

Cat. H

Madrid 3D



Cat. D

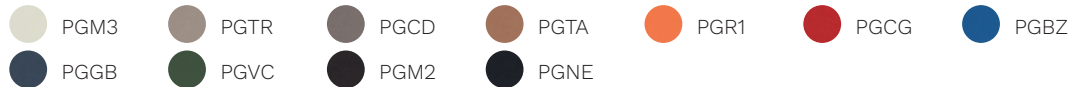
King Flex



Time



Skill (eco-leather)

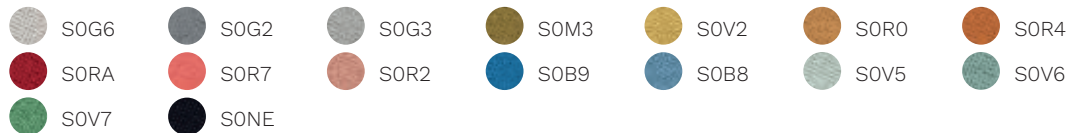


Cat. F

Step



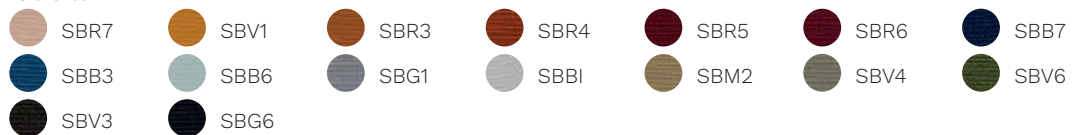
Chili



Stromboli



Silvertex



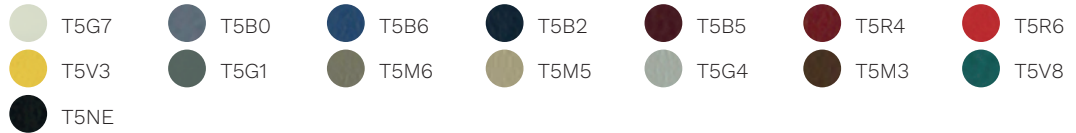
Valencia



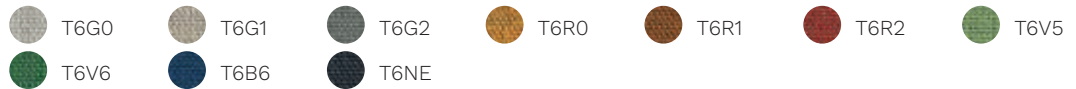
Jet



Magnum (eco-leather)



Connect



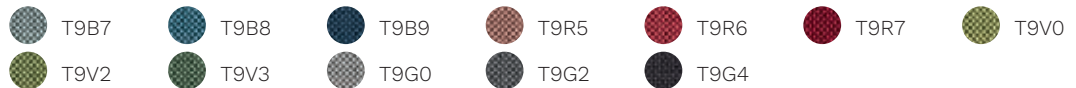
Rivet



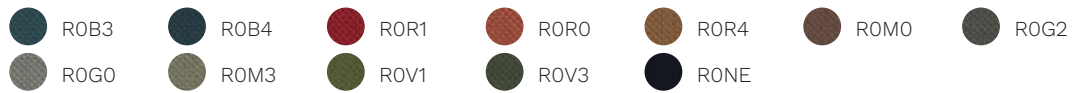
Era



Go Check



Rondo

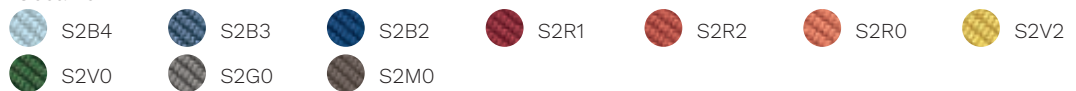


**Cat. G**

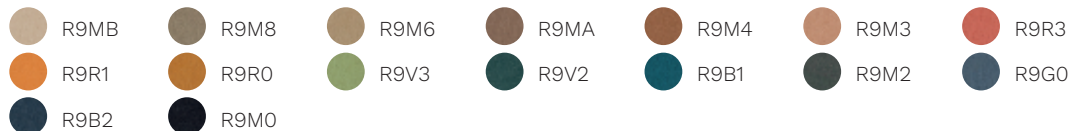
Remix 3



Oceanic



Focus



Focus Melange



Aida

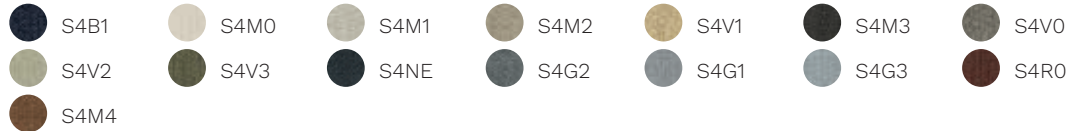


Cat. Q

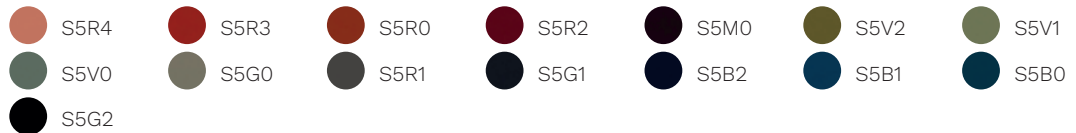
Steelcut Trio 3



Ecriture



Ombra



Cat. P

Leather



Cat. PX

Corrected grain leather



Cat. X

Elmosoft

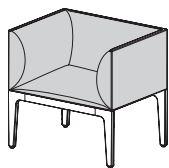


Montana

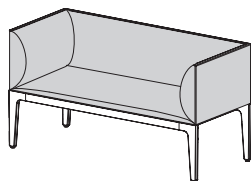


## ABACUS

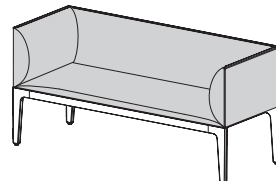
1-seater armchair.  
W. 80 cm.



2-seater sofa.  
W. 140 cm.

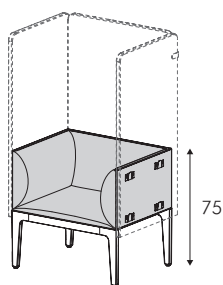


2-seater sofa.  
W. 160 cm.

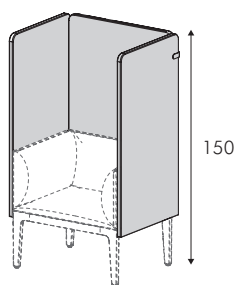


## sofas arranged for panel attachment and panel kits

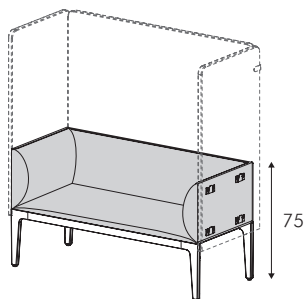
1-seater sofa.  
W. 80 cm.  
Equipped for panel arrangement.



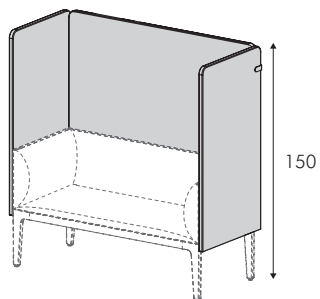
Dividing panel.  
H. 118 cm.



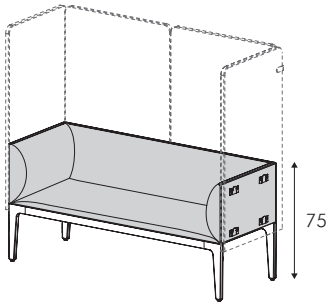
2-seater sofa.  
W. 140 cm.  
Equipped for panel arrangement.



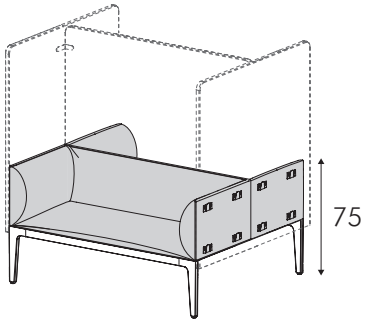
Dividing panel.  
H. 118 cm.



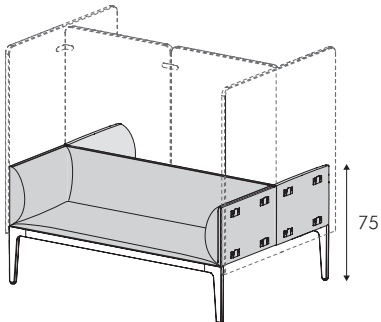
2-seater sofa.  
W. 160 cm.  
Equipped for panel arrangement.



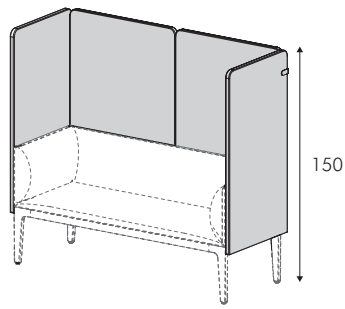
Composition of 2 sofas.  
L. 140 cm.  
Equipped for panel arrangement.



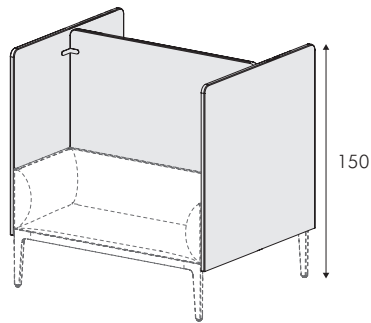
Composition of 2 sofas.  
L. 160 cm.  
Equipped for panel arrangement.



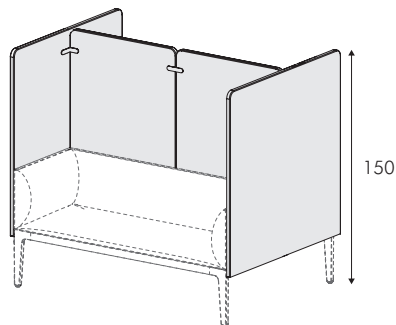
Dividing panel.  
H. 118 cm.



Dividing panel. H. 118 cm.



Dividing panel. H. 118 cm.

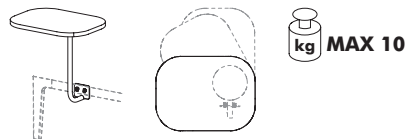


## Tables

Fixed circular top.  
W. 35 cm.

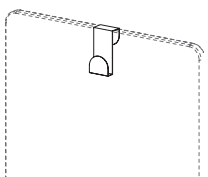


Rectangular 360° swivel top.  
W. 40 cm.

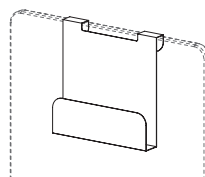


## Accessories

Coat hanger.

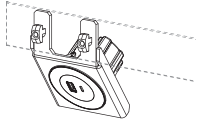


Magazine holder.



## Electrification

VERSADOT - 1 x USB "Type C" 5V - 1 x USB "Type A" 5V  
- Bracket for attachment to structure included - Power cable not included.



2 USB 5V (A+C)



VERSADOT - 1 x POWER - Bracket for attachment to structure included - Power cable not included.

